

LEAF BLOWER

LG



PARTS

UK

1. Edition 2019

 **GREENTEC**

Cutting Edge Technology

GreenTec Løvblæser LG

Parts 1. edition – Januar 2019

NOTICE: Please ensure that this manual is handed to the operator before using the machine for the first time. If the machine is resold, the Parts list must be given to the new owner!

The information contained in this Parts list is correct at the time of publication. However, in the course of constant development, changes in specification are inevitable. Should you find the information given in this book different to the machine it relates to please contact the “After Sales Department” for advice.



Merkurvej 25
DK 6000 Kolding
Denmark
Tel: +45 75553644
E-mail: info@greentec.eu
web: www.greentec.eu

CONTENT

INTRODUCTION.....	4
USEFUL INFORMATION	5
ORDERING PARTS.....	6
SPAREPARTS	7
Hose kit ADGT 9501.....	9

Introduction

Dear customer!

Your new GreenTec machine is constructed with background in more than 20 years' experience with tractor-mounted machines to maintenance of green areas. This machine is produced by the latest technology and recognized safety regulations, standards and regulations.

We want to make a product available in such a way, that neither the use of the machine during transportation or maintenance of the machine causes any damage or misunderstandings. This parts list contains information that are important and useful for maintaining your GreenTec machine's reliability, dependability and value.

You are welcome to visit our website www.greentec.eu - where the login via the dealer's access gives you the latest updates on instructional and part books on our entire product range.

We hope you will be pleased with your new GreenTec machine.



John Christensen Sales Director GreenTecA/S

GreenTec's vision is to develop and sell quality machines for the maintenance of green areas, including in agriculture, in industry, at airports and in the local sector. Through innovative product development, we will strive to become a leader in our field.

All machines are developed in a simple and functional design in close cooperation with dealers and end users. It is our goal to cover every need in the market segment with preferably two different solutions. In-depth analysis of requirements and serious advice to the customer is offered the best solution, where individual needs can be met through the modularity of the product program.

Our goal is also to offer the best possible after sales service, and a quick and efficient spare parts supply.

Useful information

Before using the machine for the first time, it's the seller's responsibility that the buyer is given this parts list. If the machine is resold, the parts list must be transferred to the new owner.

Please fill out the list below to ensure that the necessary information is at hand when ordering spare parts etc.

Serial No

Delivery date

Dealer

Tel. / E-mail



Merkurvej 25
DK 6000 Kolding
Denmark
Tel: +45 75553644
E-mail: info@greentec.eu
web: www.greentec.eu
Opening hours: Mon-Fri 8-16

Ordering parts

When ordering parts please refer to your parts list to help your dealer with your order.

- Part number and quantity
- Description
- Machine model number
- Serial number of the machine
- Delivery instructions (e.g. next day).

Delivery is normally via carrier direct to your dealer. Please check with your dealer for stock availability and arrangement of dispatch. Ensure you or your dealer has sufficient cover for parts requirement outside factory hours.

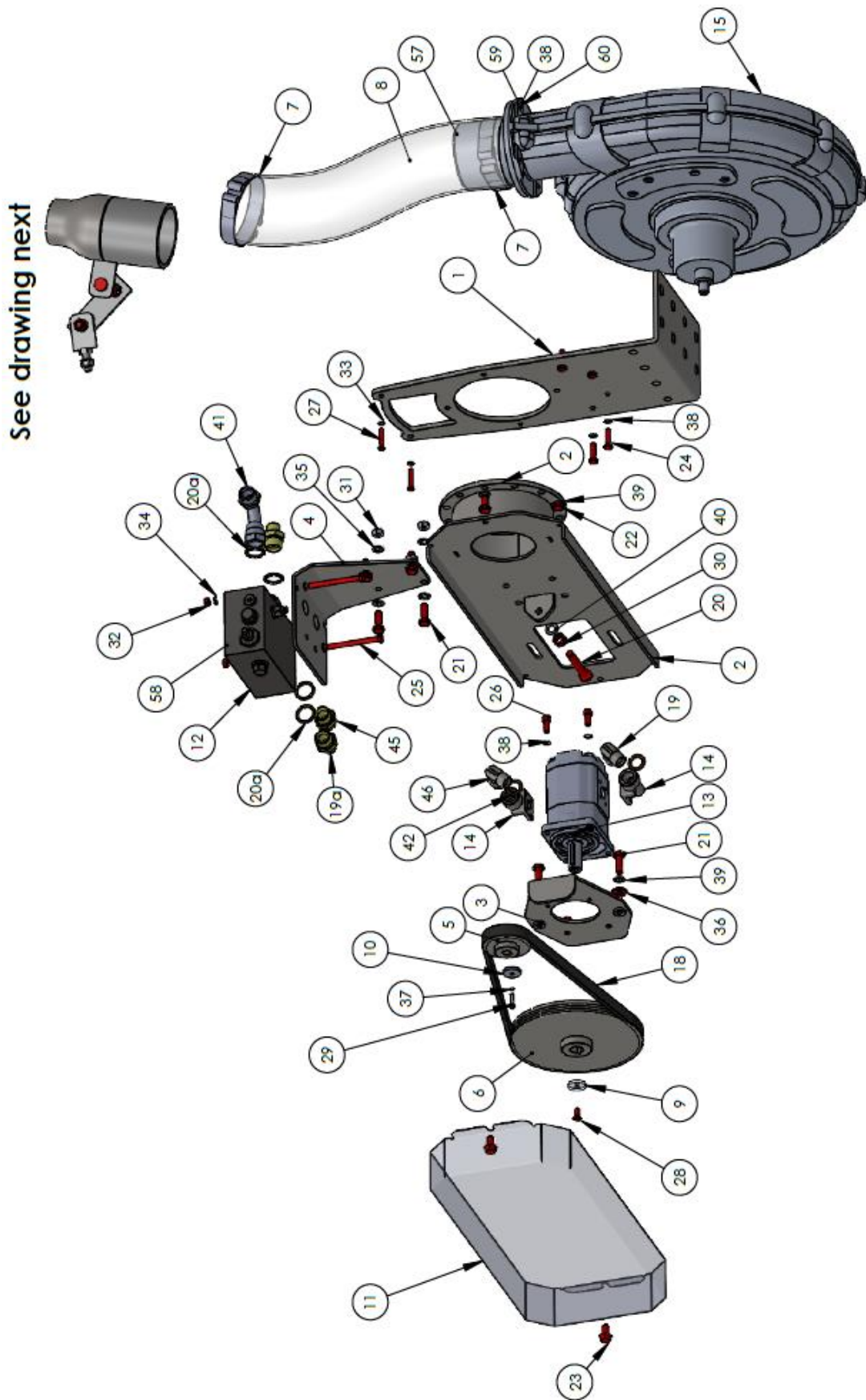
Important Note:

The information contained in this manual is correct at the time of publication. However, in the course of constant development, changes in specification are inevitable. Should you find the information given in this book different to the machine it relates to, please contact the “After Sales Department” for advice.

Key:

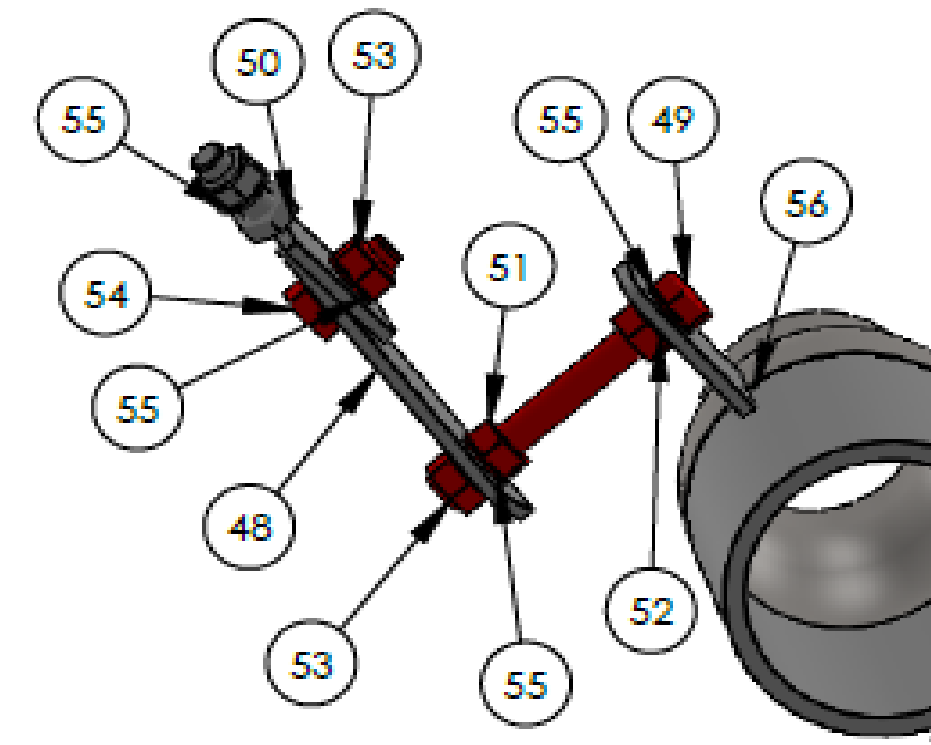
LH: Left hand
RH: Right hand

Spareparts



ITEM NO.	PART NUMBER	DESCRIPTION	QTY.
1	001080	Bracket/Ophængsbeslag	1
2	001081	Motor konsol	1
3	001082	Motorplate	1
4	001083	Valveplate	1
5	001084	Pulley	1
6	001085	Pulley	1
7	001088	Clamps dob.	2
8	001089	S/t slange Luisiana SEØ110	1.4
9	001090	Washer	1
10	001091	Washer	1
11	001092	Lid	1
12	6703014-41	Flowdevider justeres til 41L-190Bar	1
13	8173004	Motor	1
14	8173005	Portflange	2
15	001093	Blower	1
18	001094	Belt	1
19	8142017	Ajuster angle	1
19a	8283010	Nippel	3
20a	8283011	Bounded seal	4
20	2770474	Bolt	1
21	8222010	Bolt	6
22	8222002	Bolt	4
23	200104.0	Bolt	2
24	8222006	Bolt	4
25	933080902	Bolt	2
26	8142014	Bolt	4
27	8142015	Bolt	2
28	8142008	Bolt	1
29	8142016	Bolt	1
30	2770536	Nut	1
31	2770412	Lock nut	4
32	2770416	Lock nut	2
33	8482004	Washer	2
34	2770456	Washer	4
35	2770436	Washer	8
36	8142003	HD Washer	2
37	8632004	Washer	1
38	2770456	Washer	16
39	8222003	Washer	6
40	8222005	Washer	1
41	8290036	Pipe angle	1
42	6703010	Bounded seal	1
45	8283009	Nippel	1
46	6703024	Nippel	1
47	8142018	Hose kit	2

48	001107	Midt holder	1
49	8362007	Bolt	1
50	001109	Holder with m.bolt	1
51	2770536	Nut	2
52	8222005	Washer	1
53	8362005	Lock nut	3
54	8222006	Bolt	1
55	2770434	Washer	7
56	001110	Reduction incl. studs	1
57	001100	Studs	1
58	81823025	Plug	6
59	1110810	Bolt	4
60	2770416	Nut	4
NS	LGKITS	Stickers	1



Hose kit ADGT 9501

