

CUTTERBAR

HX 270



PARTS

UK

6th Edition 2018

 **GREENTEC**

Cutting Edge Technology

GreenTec HX 270

Parts

6. Edition – Februar 2018

NOTICE: Please ensure that this manual is handed to the operator before using the machine for the first time. If the machine is resold, the Parts list must be given to the new owner!

The information contained in this Parts list is correct at the time of publication. However, in the course of constant development, changes in specification are inevitable. Should you find the information given in this book different to the machine it relates to please contact the “After Sales Department” for advice.



Merkurvej 25
DK 6000 Kolding
Denmark
Tel: +45 75553644
Email: info@greentec.eu
web: www.greentec.eu

Contents

Important information	3
Contents	4
Introduction	5
Useful information	6
Ordering parts	7
Spareparts	8
Main frame HX270	8
ADGT1011 Complete cylinder.....	10
ADGT1014 Two-way Valve	11
ADGT1013 Heel arm.....	12
ADGT1012 Complete spring	13
ADGT1016 Transport protection	14
ADGT1019 Hose set	14
Sticker kit.....	15

Introduction

Dear customer!

Your new GreenTec machine is constructed with background in more than 20 years' experience with tractor-mounted machines to maintenance of green areas. This machine is produced by the latest technology and recognized safety regulations, standards and regulations.

We want to make a product available in such a way, that neither the use of the machine during transportation or maintenance of the machine causes any damage or misunderstandings.

This parts list contains information that are important and useful for maintaining your GreenTec machine's reliability, dependability and value.

You are welcome to visit our website www.greentec.eu - where the login via the dealer's access gives you the latest updates on instructional and part books on our entire product range.

We hope you will be pleased with your new GreenTec machine.



Best regards,



John Christensen
Sales Director GreenTec A/S

GreenTec's vision is to develop and sell quality machines for the maintenance of green areas, including in agriculture, in industry, at airports and in the local sector. Through innovative product development, we will strive to become a leader in our field.

All machines are developed in a simple and functional design in close cooperation with dealers and end users. It is our goal to cover every need in the market segment with preferably 2 different solutions. In-depth analysis of requirements and serious advice to the customer is offered the best solution, where individual needs can be met through the modularity of the product program.

Our goal is also to offer the best possible after sales service, and a quick and efficient spare parts supply.

Useful information

Before using the machine for the first time, it's the seller's responsibility that the buyer is given this parts list. If the machine is resold, the parts list must be transferred to the new owner.

Please fill out the list below to ensure that the necessary information is at hand when ordering spare parts etc.

Serial No

Delivery date

Dealer

E-mail

Tel/E-mail


GREENTEC
Merkurvej 25
DK 6000 Kolding
Denmark
Tel: +45 75553644
Email: info@greentec.eu
web: www.greentec.eu
Opening hours: Mon-Fri 8-16

Ordering parts

When ordering parts please refer to your parts list to help your dealer with your order.

- Part number and quantity
- Description
- Machine model number
- Serial number of the machine
- Delivery instructions (e.g. next day).

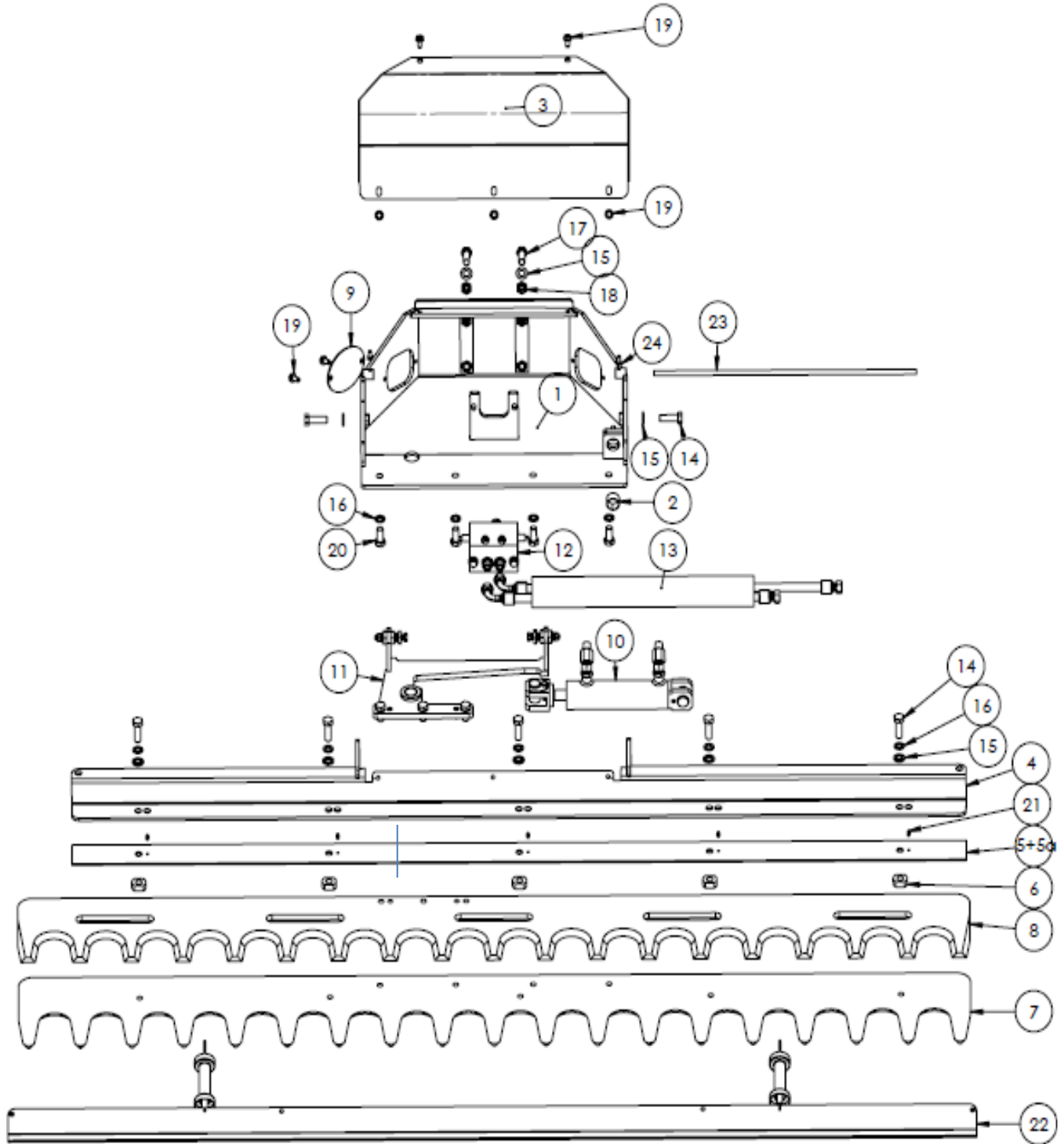
Delivery is normally via carrier direct to your dealer. Please check with your dealer for stock availability and arrangement of dispatch. Ensure you or your dealer has sufficient cover for parts requirement outside factory hours.

Important Note

The information contained in this manual is correct at the time of publication. However, in the course of constant development, changes in specification are inevitable. Should you find the information given in this book different to the machine it relates to, please contact the "After Sales Department" for advice.

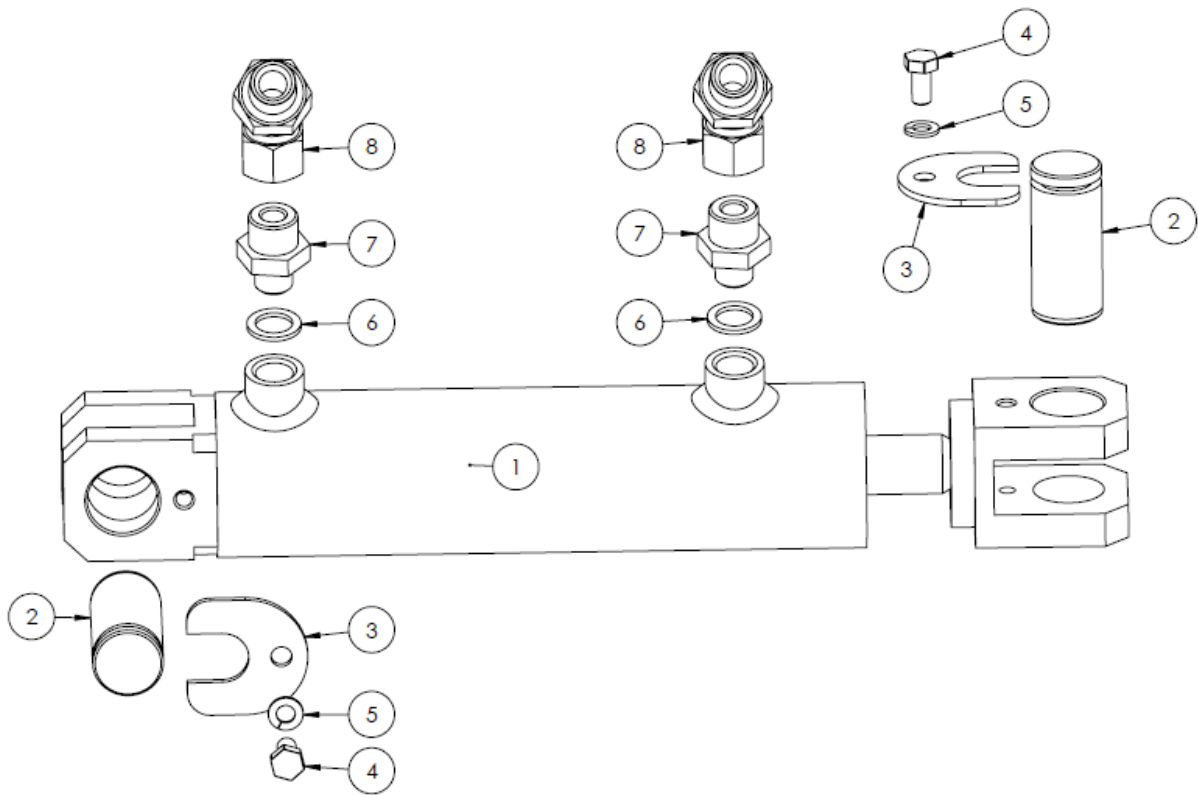
Spareparts

Main frame HX270



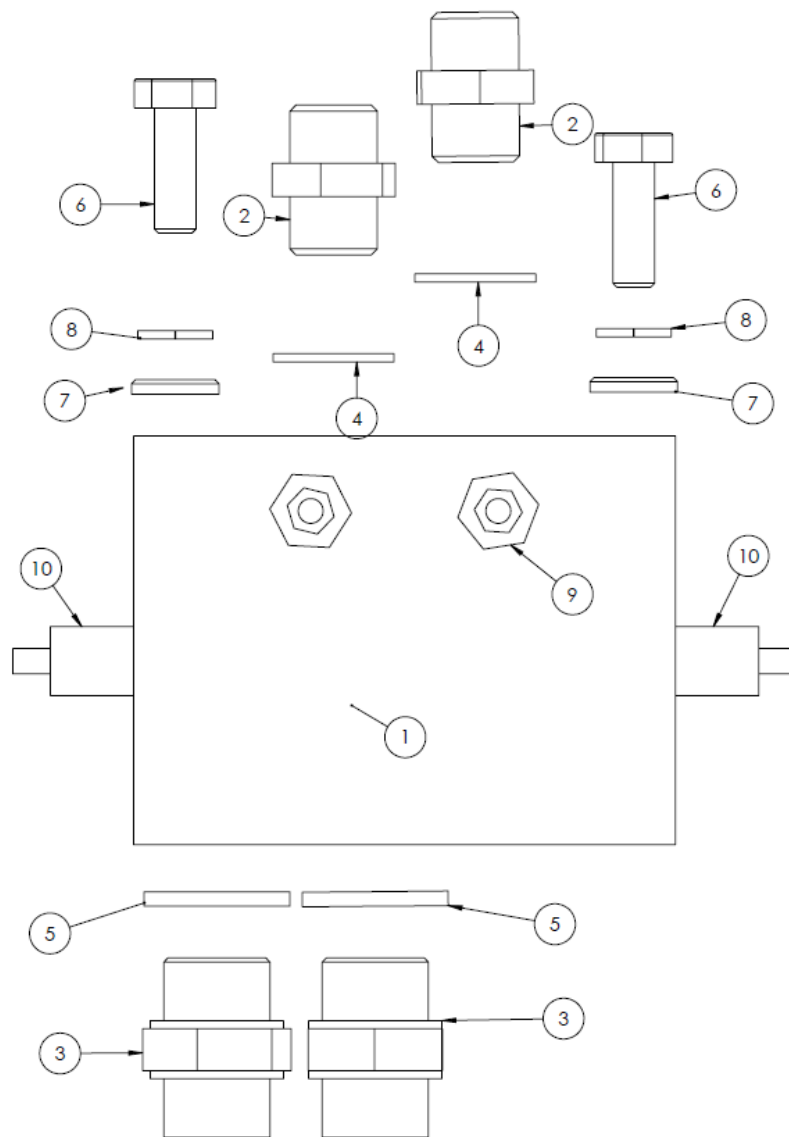
ITEM NO.	PART NUMBER	DESCRIPTION	QTY.
1	8750001	Main frame	1
2	8750010	Bush	1
3	8750015	Cover	1
4	8750020	Support rail	1
5+5a	8750026/8750026.1	Slide bar long + short	1+1
6	8750027	Wearing block	5
7	8750030	Cutting knife lower	1
8	8750031	Cutting knife upper	1
9	8750036	Cover	1
10	ADGT1011	See ADGT 1011 Complete HX Cylinder	1
11	ADGT1013	See ADGT 1013 Complete heel arm	1
12	ADGT1014	See ADGT 1014 Complete Valve	1
13	ADGT1019	See ADGT 1019 Hose set	1
14	05.291.37	Bolt	5
15	2770454	Facet washer	9
16	8222013	Spring washer	7
17	2770423	Bolt	4
18	81822001	Lock nut	4
19	200104.0	Bolt	7
20	8752004	Bolt	4
21	2770467	Grease nipple	3
22	ADGT1016	See ADGT 1016 Transport protection	1
23	8750038	Rod	1
24	81822005	Bolt	2

ADGT1011 Complete cylinder



ITEM NO.	PART NUMBER	DESCRIPTION	QTY.
1	8750003	Cylinder	1
2	8750004	Shaft	2
3	8750005	Nut lock	2
4	8482010	Bolt	2
5	8222038	Lock washer	2
6	6703003	Seals	2
7	6703023	Nippel	2
8	81823011	Nippel	2

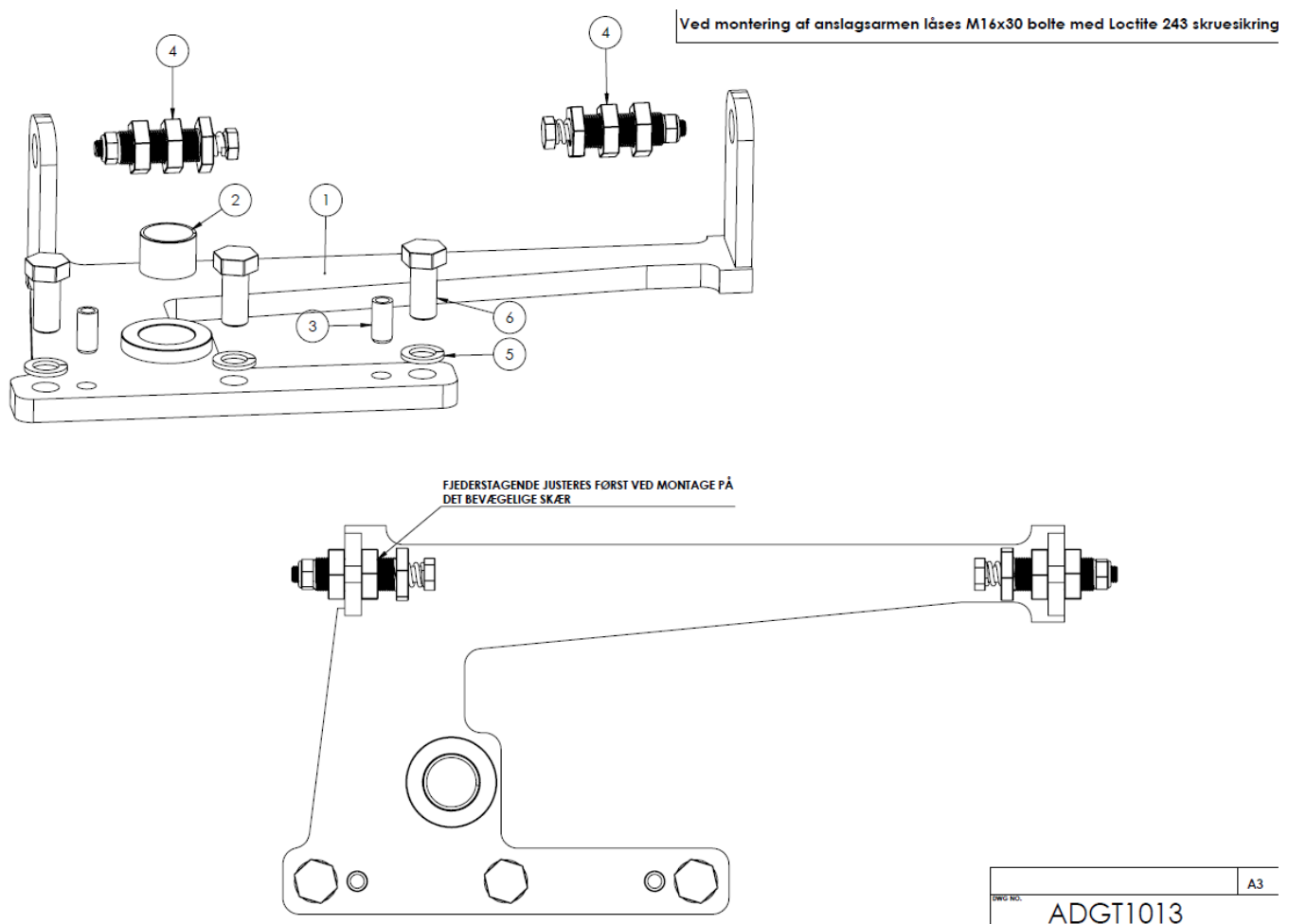
ADGT1014 Two-way Valve



Ved montering af ventilen låses M10x30 bolte med Loctite243 skruesikring

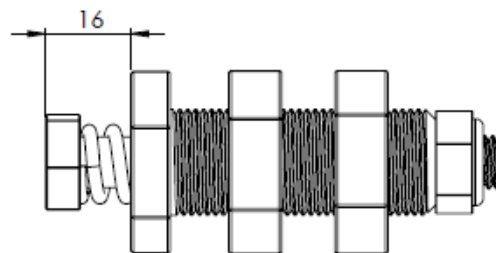
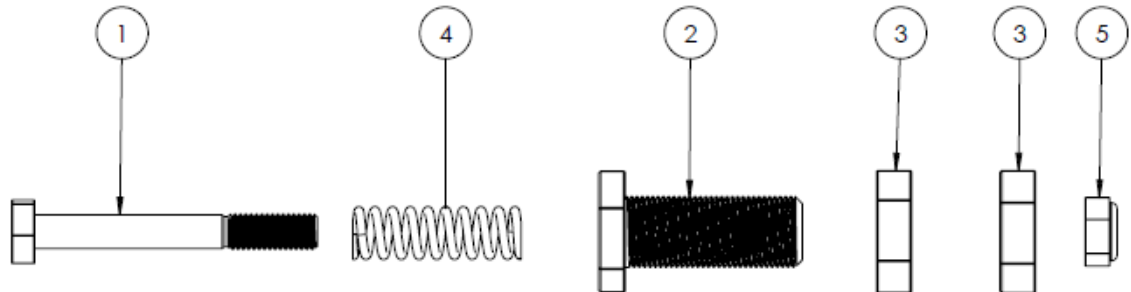
ITEM NO.	PART NUMBER	DESCRIPTION	QTY.
1	8750012	Valve	1
2	6703024	Nippel	2
3	8283009	Nippel	2
4	6703010	Seals	2
5	8283011	Seals	2
6	200109.0	Bolt	2
7	8142003	HD washer	2
8	8222003	Washer	2
9	8753005	Pressure valve	2
10	8753004	Contact	2

ADGT1013 Heel arm



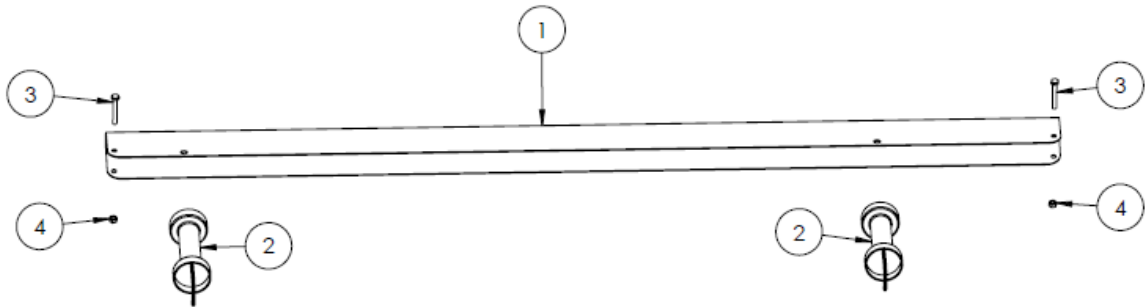
ITEM NO.	PART NUMBER	DESCRIPTION	QTY.
1	8750002	Heel arm	1
2	8750010	Bush	1
3	8750011	Dowel pin	2
4	ADGT1012	See ADGT 1012 Complete spring	2
5	8222013	Washer	3
6	8752004	Bolt	3

ADGT1012 Complete spring



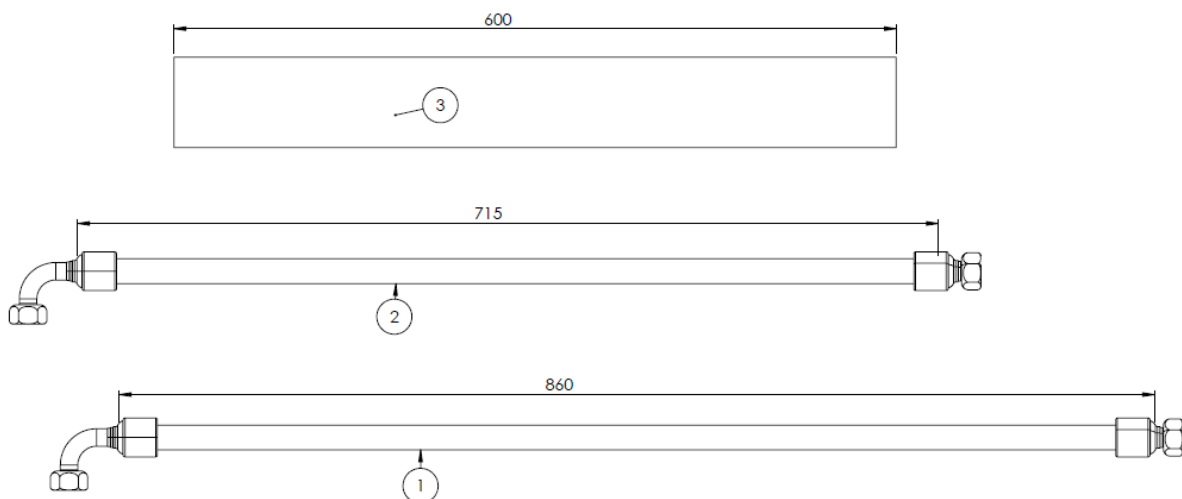
ITEM NO.	PART NUMBER	DESCRIPTION	QTY.
1	8750006	Bolt	1
2	8750007	Housing	1
3	8750008	Nut	2
4	8750009	Spring	1
5	2770412	Lock nut	1

ADGT1016 Transport protection



ITEM NO.	PART NUMBER	DESCRIPTION	QTY.
	8758004	Protection cover cpl. HX 270	1
1	8750017	Protection cover HX270	1
2	8758005	Handle	2
3	8752003	Bolt	2
4	8752002	Lock nut	2

ADGT1019 Hose set



ITEM NO.	PART NUMBER	DESCRIPTION	QTY.
1	8750013	Hose (valve and cylinder)	1
2	8750014	Hose (valve and cylinder)	1
3	8750037	Protection for hose	1

Sticker kit



HX270 advarselsmærker - 317 x 112 mm



HX270 - 710 x 115 mm



8770322 Smørring - 50 x 24 mm



GreenTec_Påbudsmærker - 130 x 25 mm



Made in denmark - 50 x 16 mm



Hardox - 50 x 16 mm

HX270 KITS

ITEM NO.	PART NBR	DESCRIPTION	QTY
1	HX270KITS	StickerKit HX270	1



Merkurvej 25 | DK-6000 Kolding | Tel.: +45 75 55 36 44 | info@GreenTec.eu | www.GreenTec.eu

Cutting Edge Technology